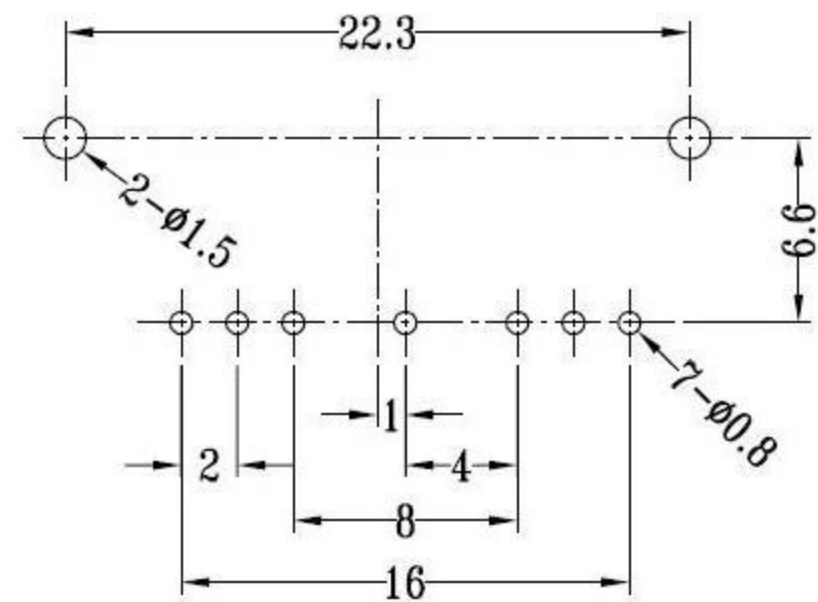
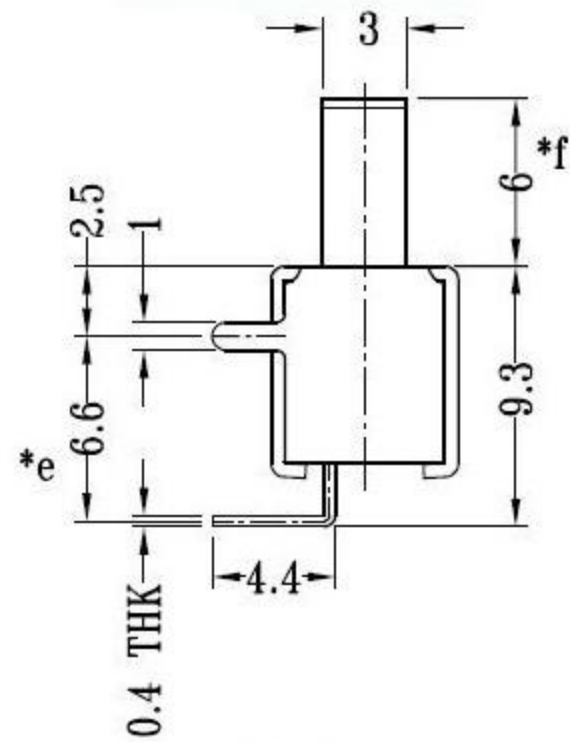
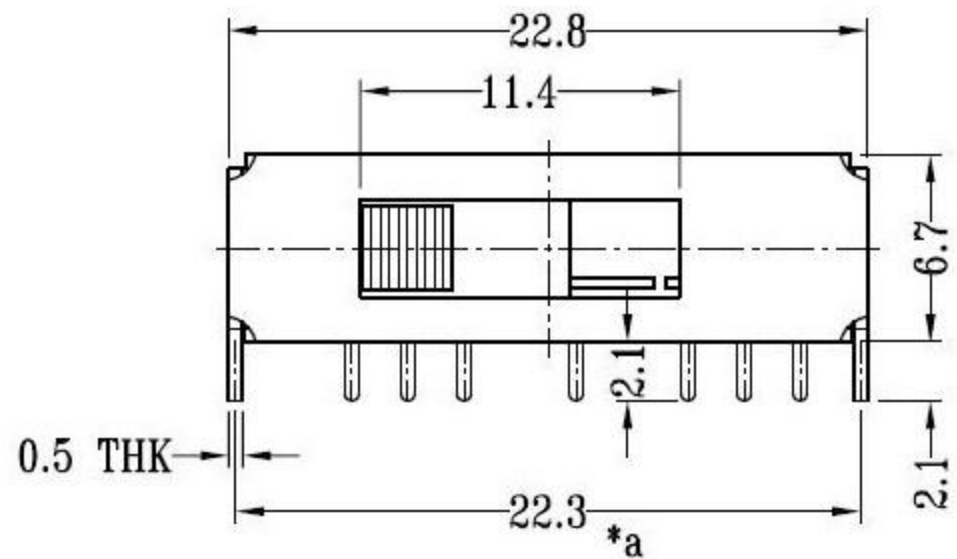
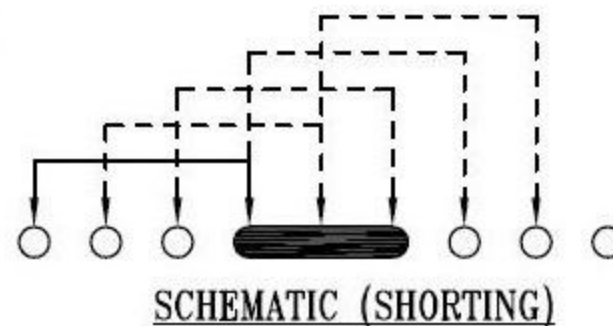
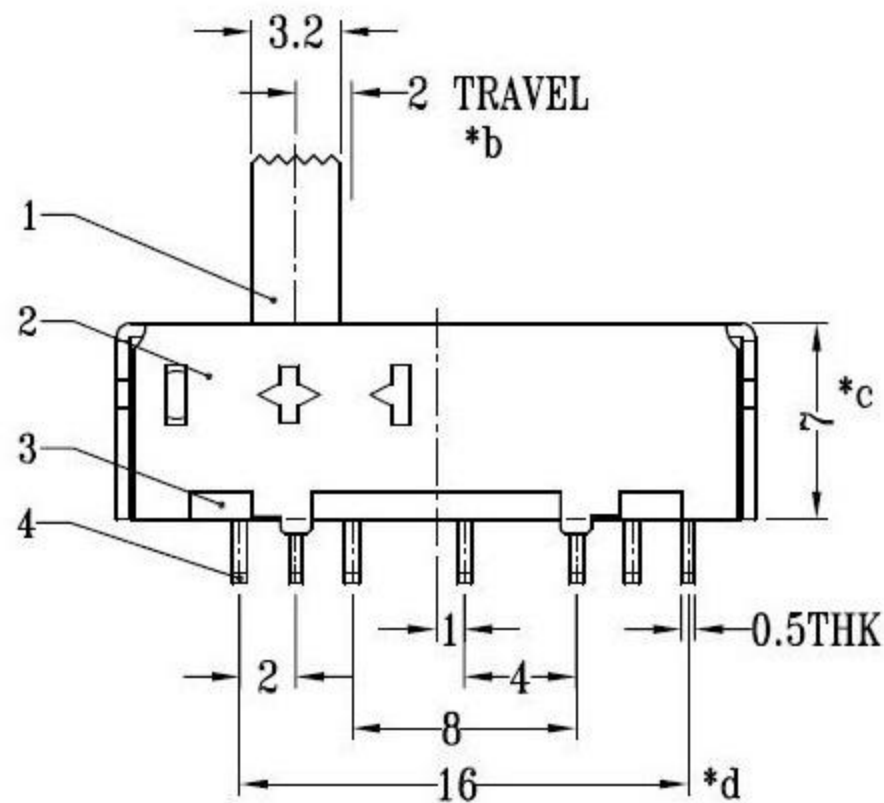


CAD FILE:



P.C.B LAYOUT  
BOTTOM VIEW



拨动开关侧拨技术参数:

1. 额定负荷: DC 30V 50V 0.3A 0.5A
2. 接触阻抗:  $\leq 50m\Omega$
3. 绝缘阻抗:  $\geq 100m\Omega$  DC500V
4. 耐焊温度:  $250 \pm 5^\circ$  5s
5. 使用寿命: 10,000 cycles
6. 使用温度:  $-25^\circ\text{C}$  to  $80^\circ\text{C}$
7. 使用湿度:  $\leq 85\%$  RH
8. 操作力: 160gf 256gf 300gf 可定制
9. 手柄长度: 2mm-10mm 可定制

| NO. | PARTS        | MATERIALS      | QTY | FINISH    | TOLERANCE UNLESS SPECIFIED |       | TITLE: HORIZONTAL SLIDE SWITCH |                          | UNIT : mm | DRWG NO.:  |
|-----|--------------|----------------|-----|-----------|----------------------------|-------|--------------------------------|--------------------------|-----------|------------|
| 8   |              |                |     |           | WITHIN                     | A     | 2012-12-25                     | 初板                       |           |            |
| 7   | STEEL BALL   | STEEL          | 1   | NATURAL   | OVER                       | ISSUE | DATE                           | DESCRIPTIONS OF REVISION | APPD      |            |
| 6   | SPRING       | STEEL WIRE     | 1   | NATURAL   |                            |       |                                |                          |           |            |
| 5   | CONTACT CLIP | PBS STRIP      | 2   | Ag PLATED |                            |       |                                |                          |           |            |
| 4   | TERMINAL     | BRASS STRIP    | 10  | Ag PLATED |                            |       |                                |                          |           |            |
| 3   | BASE         | PHENOLIC RESIN | 1   | BLACK     |                            |       |                                |                          |           |            |
| 2   | FRAME        | STEEL STRIP    | 1   | Ni PLATED |                            |       |                                |                          |           |            |
| 1   | KNOB         | POM            | 1   | BLACK     |                            |       |                                |                          |           |            |
|     |              |                |     |           | MODEL:                     |       |                                | SCALE: 2:1               | DWN       | 2012-12-25 |
|     |              |                |     |           | <b>东莞市高迪电子有限公司</b>         |       |                                |                          | CHK'D     |            |
|     |              |                |     |           |                            |       |                                |                          | APPD      | 2012-12-25 |